

# Sugar Cube & Bench



The experience of light and touch is universally pleasing, eliciting wonder from people of all ages. As playful glowing lights dance magically on the surfaces of our Sparkle products, people are drawn to touch, discover, and relax, or recharge their personal devices.

## LIGHT up the Room



# Sugar Cube & Bench



## Features

- Full Spectrum LED Light
- Capacitive Touch Sensors
- 20 interactive light programs, plug and play setup
- Universal Power, 110 - 220 VAC, 6ft Power cord
- Cord plugs to floor outlet under product or to wall outlet
- Heavy duty floor levelers
- Translucent white solid surface resin top

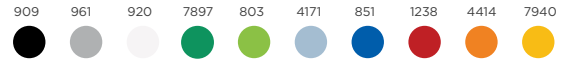
Laminate, base, standard finish is fog

920



## Options

- USB charging ports and outlets
- International power configurations
- Additional & custom laminate finishes



## Models

Model No.	Product Size	Charging
SC18	18in x 18in x 18in	none
SC18USB	18in x 18in x 18in	2 USB
SB5418	54in x 18in x 18in	none
SB5418D4	54in x 18in x 18in	2 USB, 2 outlets
SB6618	66in x 18in x 18in	None
SB66D4	66in x 18in x 18in	2 USB, 2 outlets

## Installation Guidelines

Place the Sparkle Sugar Cubes and Benches in the desired location and plug power cord into into a grounded electrical outlet that receives 110-220 VAC power. Install the floor outlet below product to hide power cord in the product's hollow interior. On start up, the product will automatically calibrate to the ambient conditions. This process lasts approximately 10 seconds and is indicated by a series of flashing patterns. When complete, the first interactive light program will be displayed and the surface will be responding to touch.

## Care & Maintenance

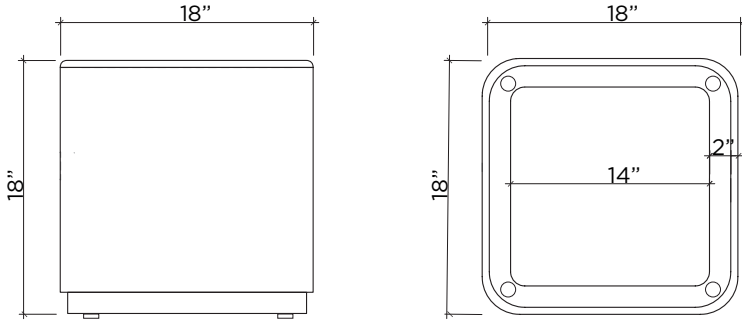
Spray the top and side surfaces with a multi-surface cleaner and wipe using a soft cloth. Recommended cleaners include Fantastik household cleaner, and Formula 409 household cleaner. For disinfecting Sani-Cloth® AF3 Germicidal Disposable Wipes, Steris Coverage Plus® and Clorox Healthcare® Hydrogen Peroxide Cleaner Disinfectant Wipes are also recommended. Do not use strong acidic or solvent based cleaners, such as methyl chloride or acetone.

Superficial scratches on the top surface only can be removed by rubbing a wet #7448 Scotch Brite pad in a circular motion until the scratches disappear, followed by spraying with a multi-surface cleaner and wiping dry with a soft cloth. Never use abrasive cleaners on the laminate sides, which will dull or damage the finish.

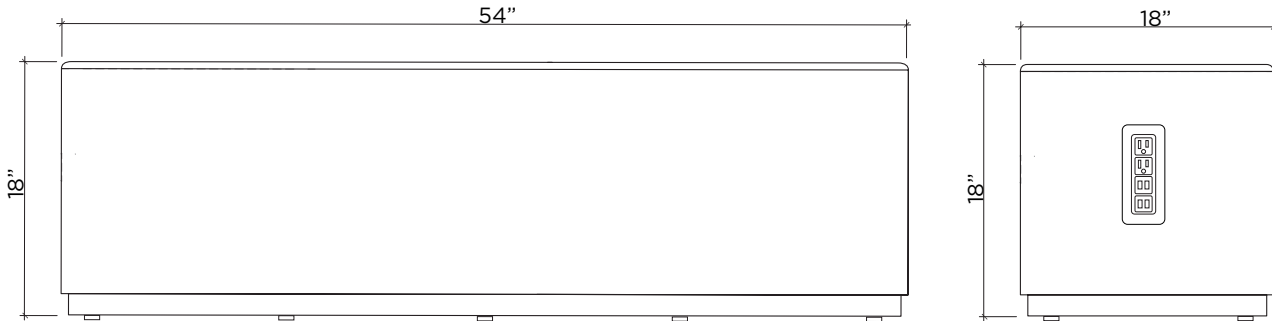
# Sugar Cube & Bench



## SC18 | SC18USB



## SB54 | SB54D4



## SB66 | SB66D4

