

Sugar Cube & Bench

SPARKLE



The experience of light and touch is universally pleasing, eliciting wonder from people of all ages. As playful glowing lights dance magically on the surfaces of our Sparkle products, people are drawn to touch, discover, recharge and connect with new and uplifting sensory experiences.

LIGHT up the Room



Sugar Cube & Bench



Features

- Full Spectrum LED Light
- Capacitive Touch Sensors
- 20 interactive light programs, plug and play setup
- Universal Power, 110 - 220 VAC, 6ft Power cord
- Cord plugs to floor outlet under product or to wall outlet
- Heavy duty floor levelers
- Translucent white solid surface resin top
- Laminate, base, standard finish is hardrock maple

86992



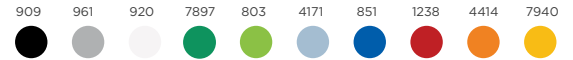
Care & Maintenance

Spray the top and side surfaces with a multi-surface cleaner and wipe using a soft cloth. Recommended cleaners include Fantastik household cleaner, and Formula 409 household cleaner. For disinfecting Sani-Cloth® AF3 Germicidal Disposable Wipes, Steris Coverage Plus® and Clorox Healthcare® Hydrogen Peroxide Cleaner Disinfectant Wipes are also recommended. Do not use use strong acidic or solvent based cleaners, such as methyl chloride or acetone.

Superficial scratches on the top surface only can be removed by rubbing a wet #7448 Scotch Brite pad in a circular motion until the scratches disappear, followed by spraying with a multi-surface cleaner and wiping dry with a soft cloth. Never use abrasive cleaners on the laminate sides, which will dull or damage the finish.

Options

- USB charging ports and outlets
- Ambient glowing LED light (non-interactive)
- Additional & custom laminate finishes



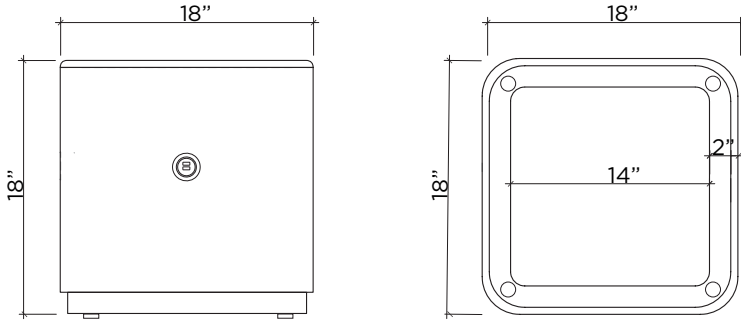
Models

Model No.	Product Size	Charging
SC18	18in x 18in x 18in	none
SC18USB	18in x 18in x 18in	2 USB
SB54	54in x 18in x 18in	None
SB54D4	54in x 18in x 18in	2 USB, 2 outlets
SB66	66in x 18in x 18in	None
SB66D4	66in x 18in x 18in	2 USB, 2 Outlets

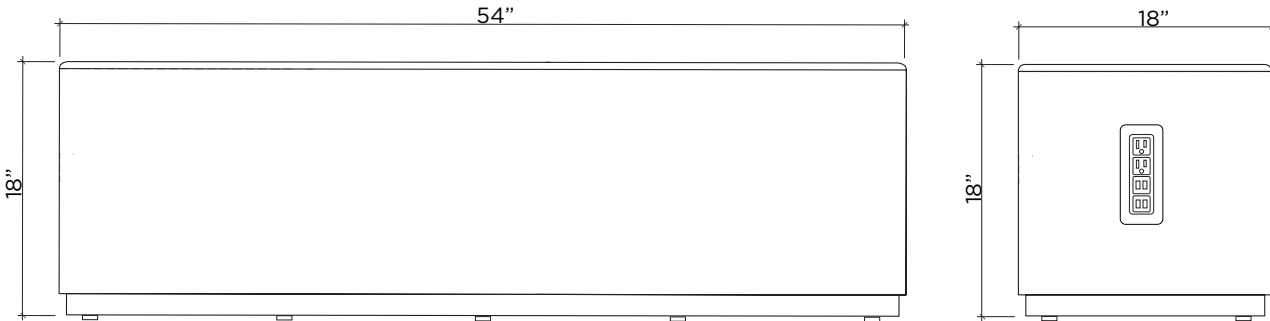
Sugar Cube & Bench



SC18 | SC18USB



SB54 | SB54D4



SB66 | SB66D4

