

Sparkle Table Installation



TABLE TOP MODELS
MCST87, MCST99



Table Top Features

Full Spectrum LED Light, Capacitive Touch Sensors, 20 animated interactive light programs
Universal Power, 110 - 220 VAC, 6ft Power cord, Cord runs through leg with access panel
Translucent and opaque solid surface resin face, Plug and play setup

Care & Maintenance

Spray the top and side surfaces with a multi-surface cleaner and wipe using a soft cloth. Recommended cleaners include Fantastik household cleaner, and Formula 409 household cleaner. For disinfecting Sani-Cloth® AF3 Germicidal Disposable Wipes, Steris Coverage Plus® and Clorox Healthcare® Hydrogen Peroxide Cleaner Disinfectant Wipes are also recommended. Do not use strong acidic or solvent based cleaners, such as methyl chloride or acetone.

Superficial scratches on the top and side surfaces can be removed by rubbing a wet #7448 Scotch Brite pad in a circular motion until the scratches disappear, followed by spraying with a multi-surface cleaner and wiping dry with a soft cloth.

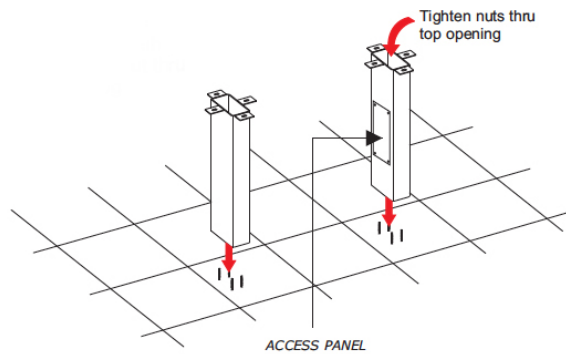
Sparkle Table Installation



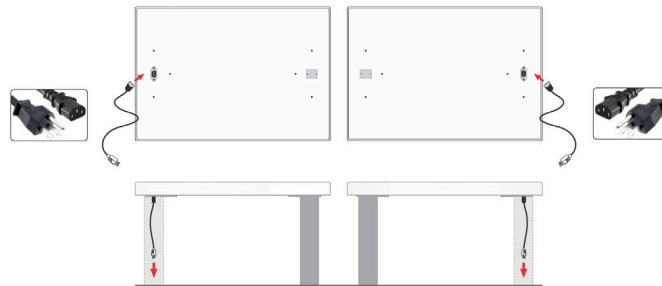
TABLE TOP MODELS
MCST87, MCST99

Instructions

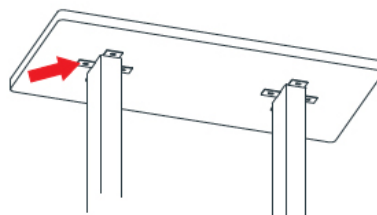
1. Prepare the site by installing power in the center of one of the leg locations. Power will run up through the leg with the electrical access panel and connect to the base of the table. The leg without an electrical access panel will be used for the leg without power.
2. To secure each leg to the floor, install 4 anchor bolts (4 b3 - 1/4" Kwik Bolt 3) corresponding to the holes in the base of each leg. Slide leg through anchors and into place. Secure legs with washers and nuts through the opening at the top of the leg.



3. Remove metal cover plate on base of the table top that corresponds to the leg with the electrical access panel to reveal the power receptical. (Recepticals are installed on both sides of the table. For safety, only remove one cover plate.



4. Plug power cord firmly and securely into receptical on the base of table and thread through leg. Plug cord into grounded power outlet elevated 6" from floor.
5. To attach table top to table legs, remove screws and washers from the base of the table top, align table leg with mounting holes on the base of the table top and secure with screws and washers.



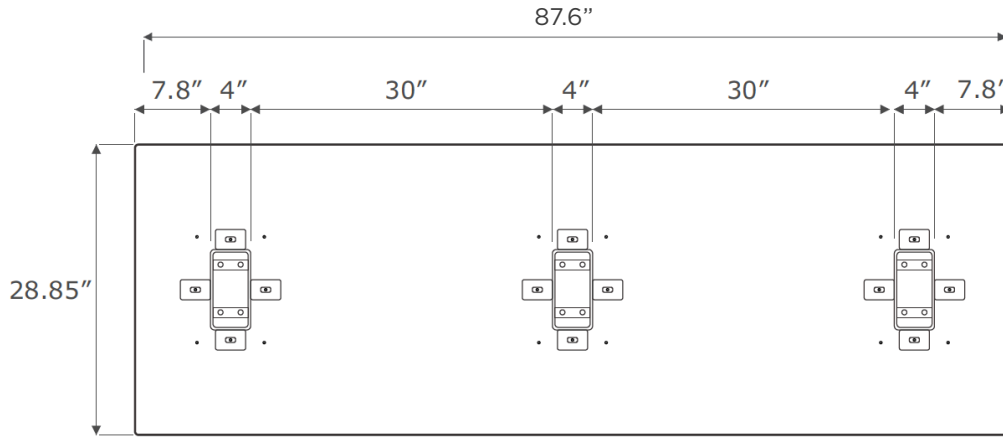
Sparkle Table Installation



TABLE TOP MODELS
MCST87, MCST99

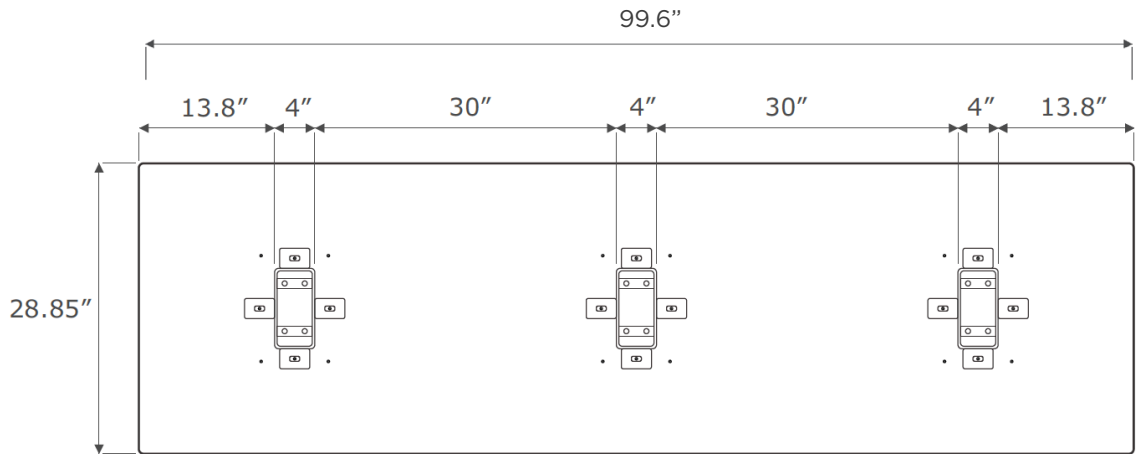
MCST87

87" Table Top



MCST87

99" Table Top



SPARKLE LEGS

