

SPARKLE

Sparkle Table Top 99"



Installation Guidelines

NunoErin®

CUSTOMER SERVICE / ASSISTANCE

+1 601.994.0023 support@nunoerin.com

info@nunoerin.com www.nunoerin.com

Product Specifications

MODEL: SPTT-99 ADA
SPTT-99 NADA

DIMENSIONS: 99.6" x 28.5" x 3"

MATERIAL SPECIFICATIONS:

Table Top: Translucent white solid surface
Table Side Finish: Opaque white solid surface
Electronic Packaging: Full Spectrum LED Lights, Capacitive Touch Sensors, 20 animated interactive light programs
Software: Plug and play setup, all software preloaded
Weight: ~216 lbs.

ELECTRICAL/POWER:

Power Cord: NEMA plug style 5-15, length 6', AMPS 13 cord with 0.3125" cord type SJT, 3PCS

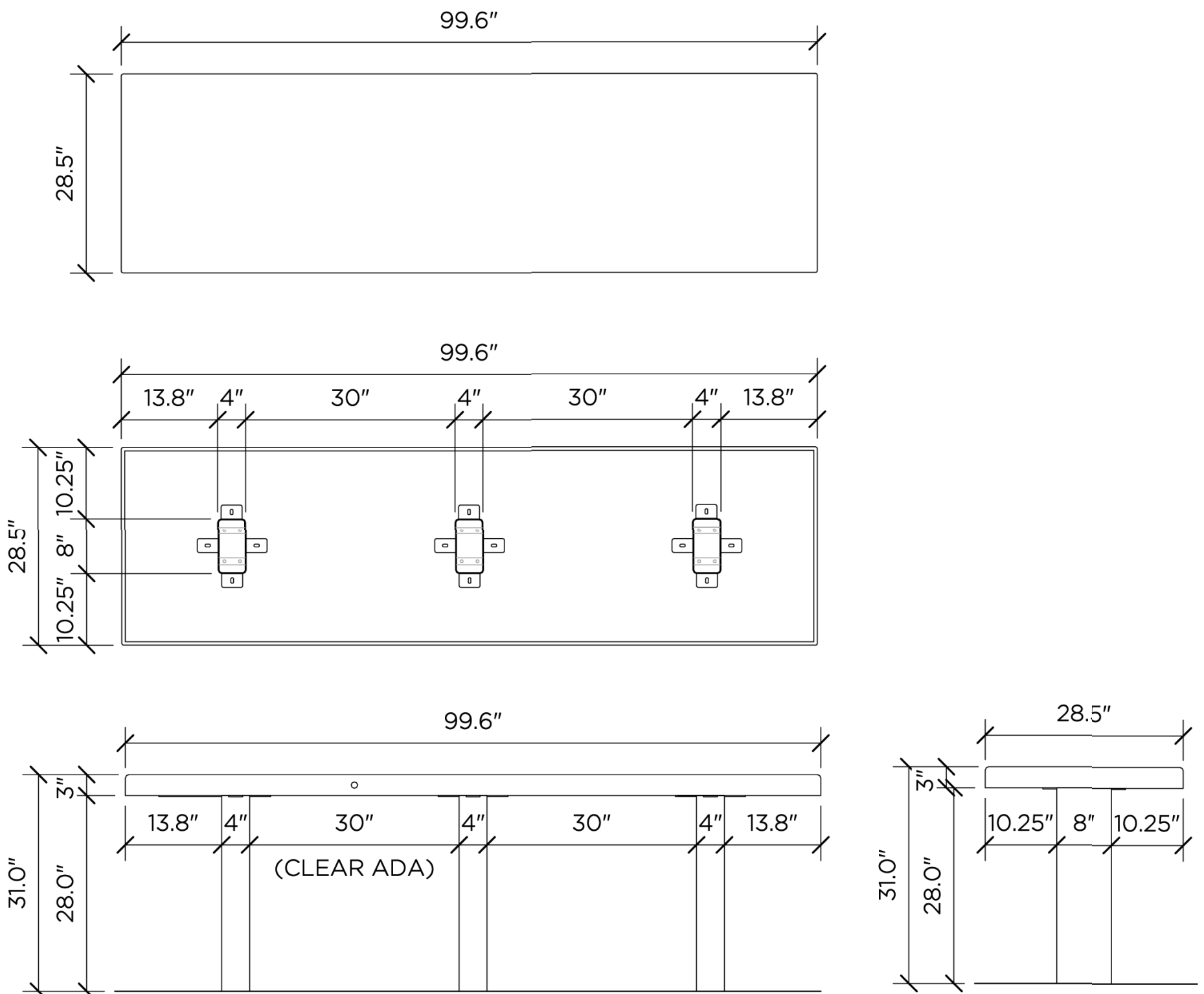
Power supply / AC Input:

Voltage Range: 90 ~ 264 VAC
 (Universal AC Input / Full Range)
 AC Current: 1.1A / 115 VAC _ 0.7A / 230VAC
 Frequency Range: 47 ~ 63 Hz



IS 15885 (Part 2) Sec 13
 R-41027766 (for 12V, 24V only)
 LPS IP67

PARTS INCLUDED		PARTS NOT INCLUDED		TOOLS TO USE	
12 .25-20 x .75 long, Phillips Pan Head screws	12 .3125 inside dia. Flat Washers	12 Floor Bolts appropriate for floor surface type	3 Table Leg	1 Phillips Head Screwdriver	1 Socket and Wrench appropriate for floor bolt size

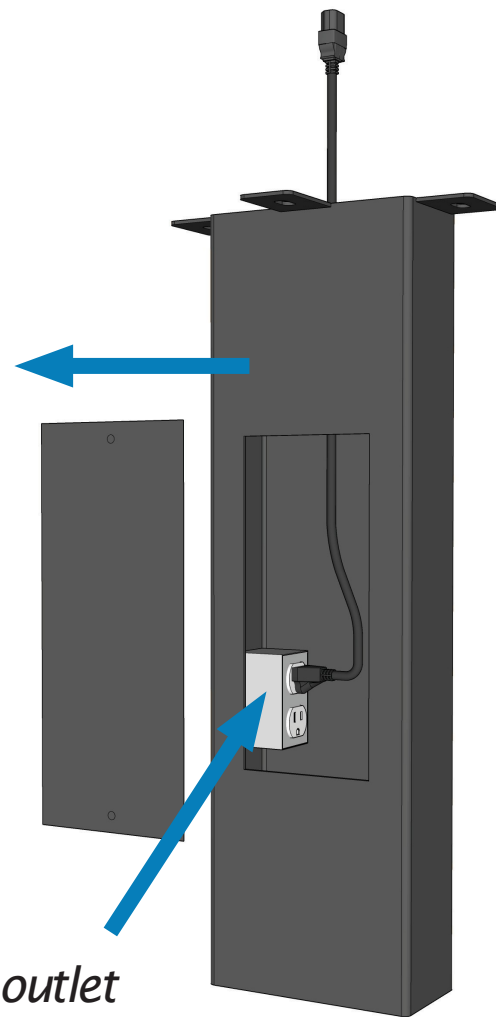


- 1 Prepare the site by installing a grounded power outlet inside one of the legs.

NOTE: Remove the electrical access panel on the leg.

Power will run up through the leg with the electrical access panel and connect to the base of the table.

NOTE: The leg without an electrical access panel will be used for the leg without power.

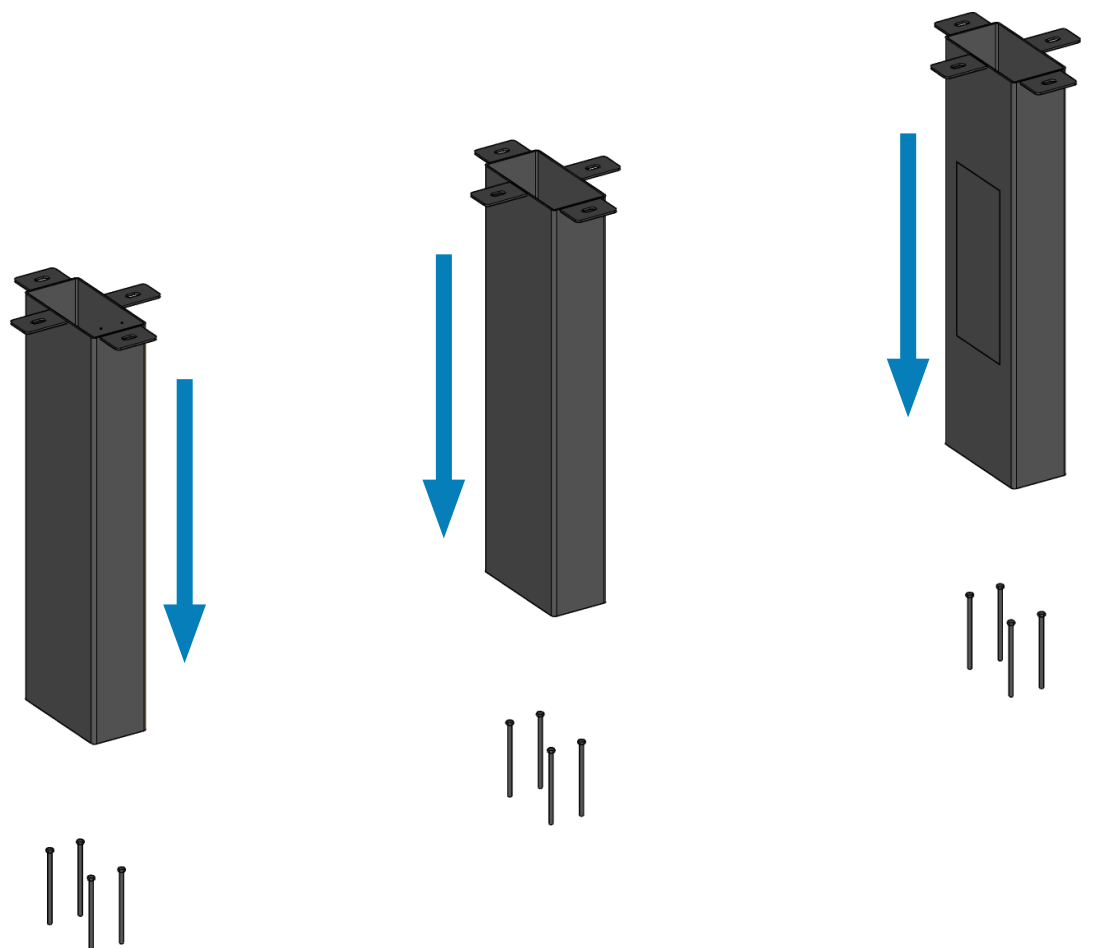


grounded power outlet elevated at least 6" from the floor

- 2 Secure each leg to the floor with 4 anchor bolts corresponding to the holes in the base of each leg.

NOTE: 4 b3-1/4" Kwik Bolt 3 bolts are recommended.

Slide legs through anchor bolts and into place on floor.



- 3 Remove metal cover plate on base of table top that matches leg with electrical access panel.

A table top power receptacle will be revealed.

NOTE: Receptacles are installed at all leg locations on the table top. For safety, remove only one cover plate.

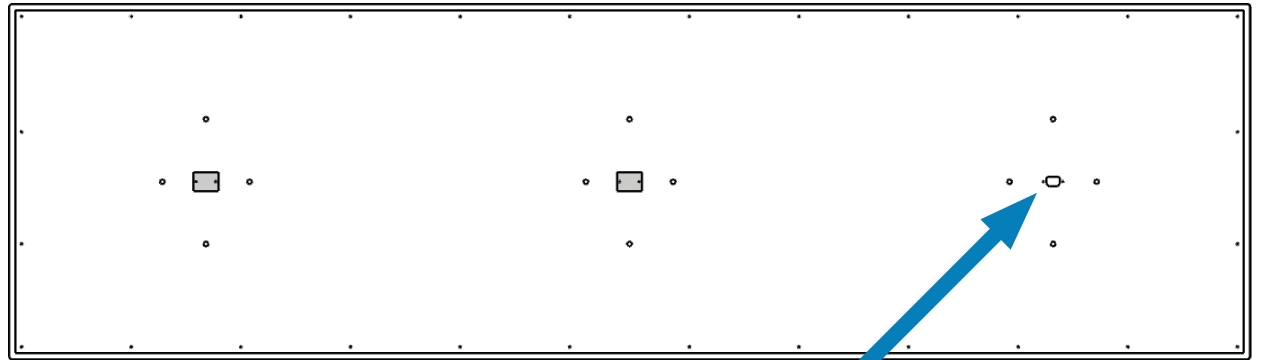


table top power receptacle

- 4 Plug one end of the powercord securely into the receptacle on the base of the table top.

Ensure that the cord is fully threaded through the leg and firmly plugged into the grounded power outlet inside the leg.

NOTE: replace the electrical access panel removed in Step 1.

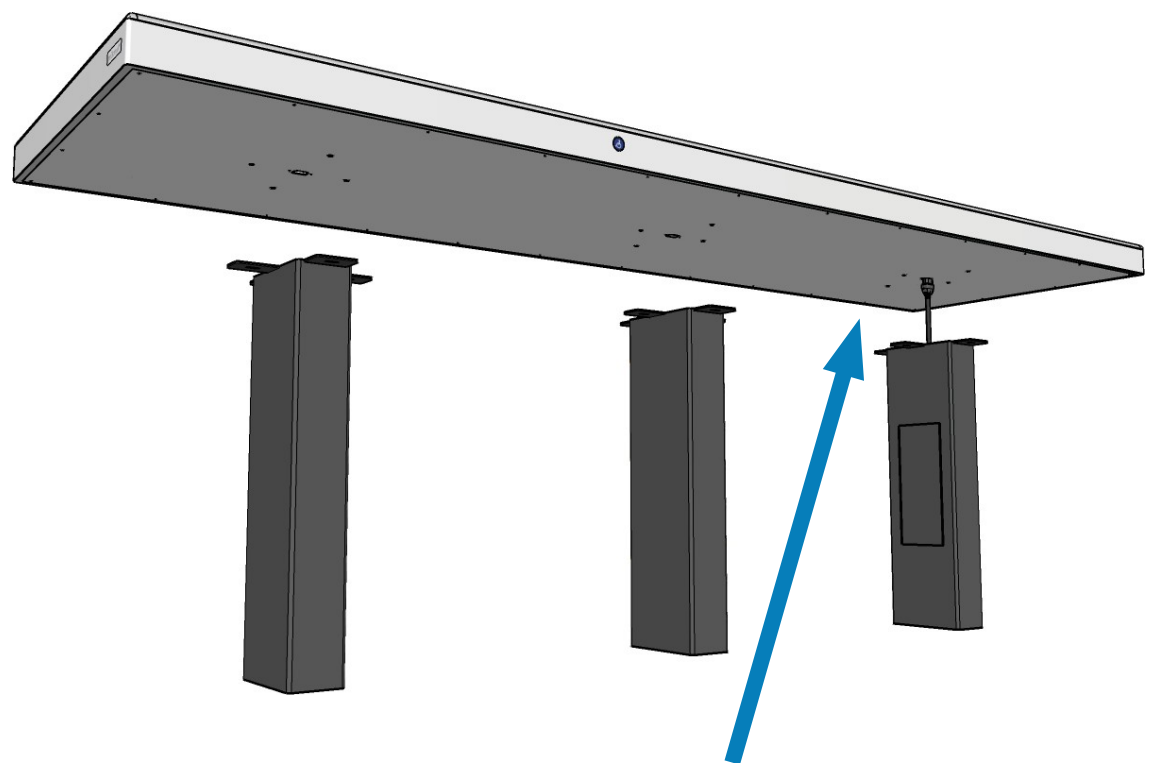
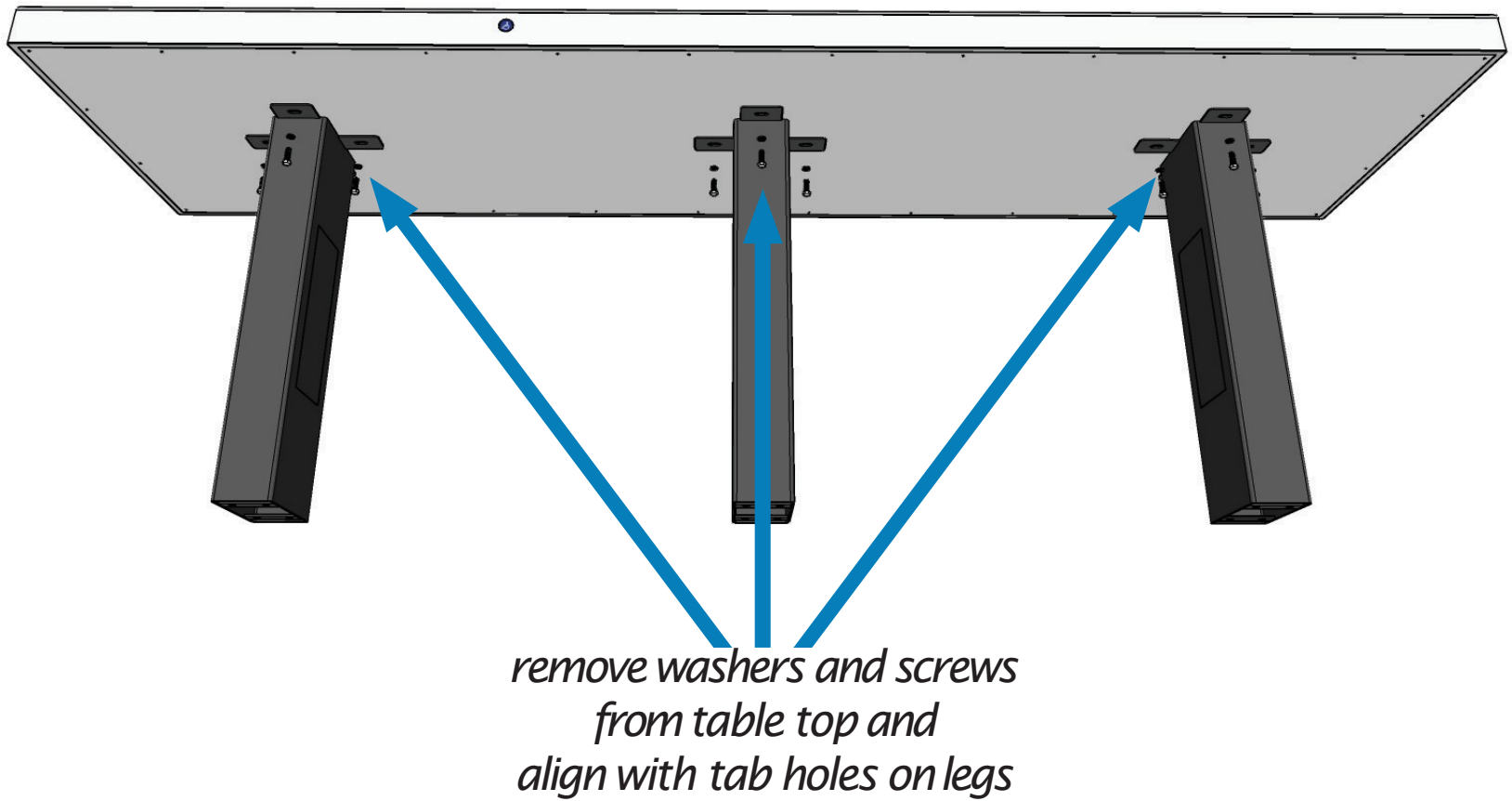
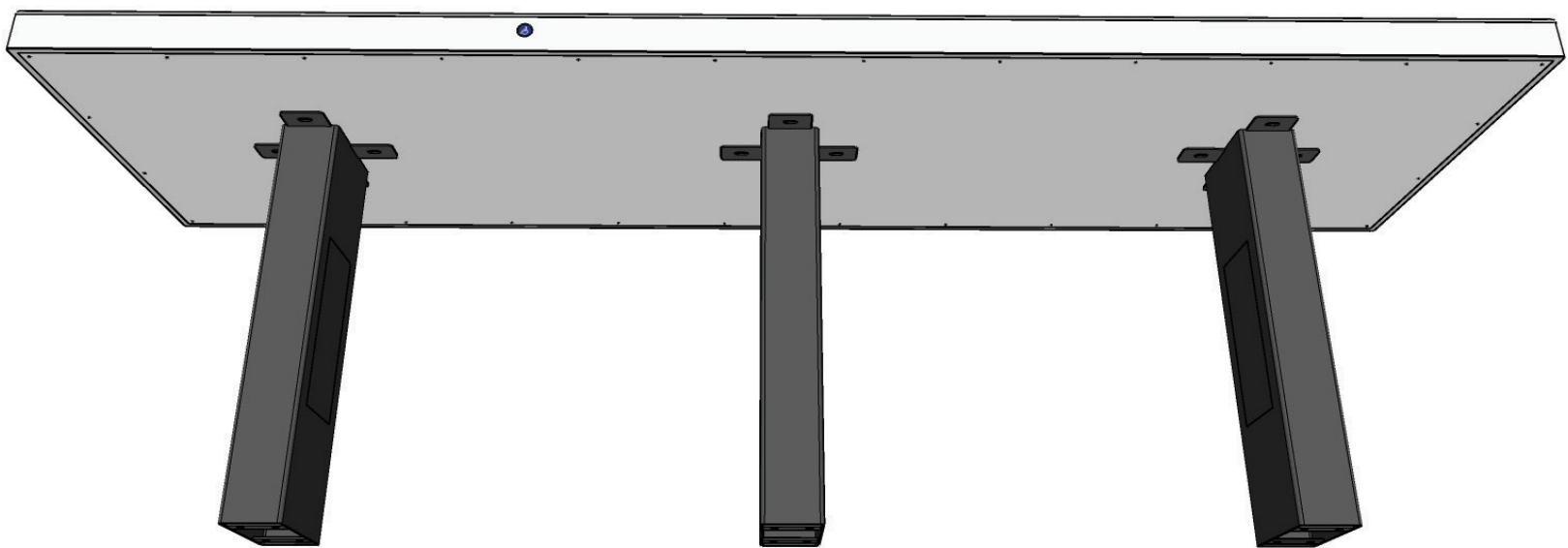


table top power receptacle

- 5 To attach table top to table legs, remove screws and washers from the base of the table top.

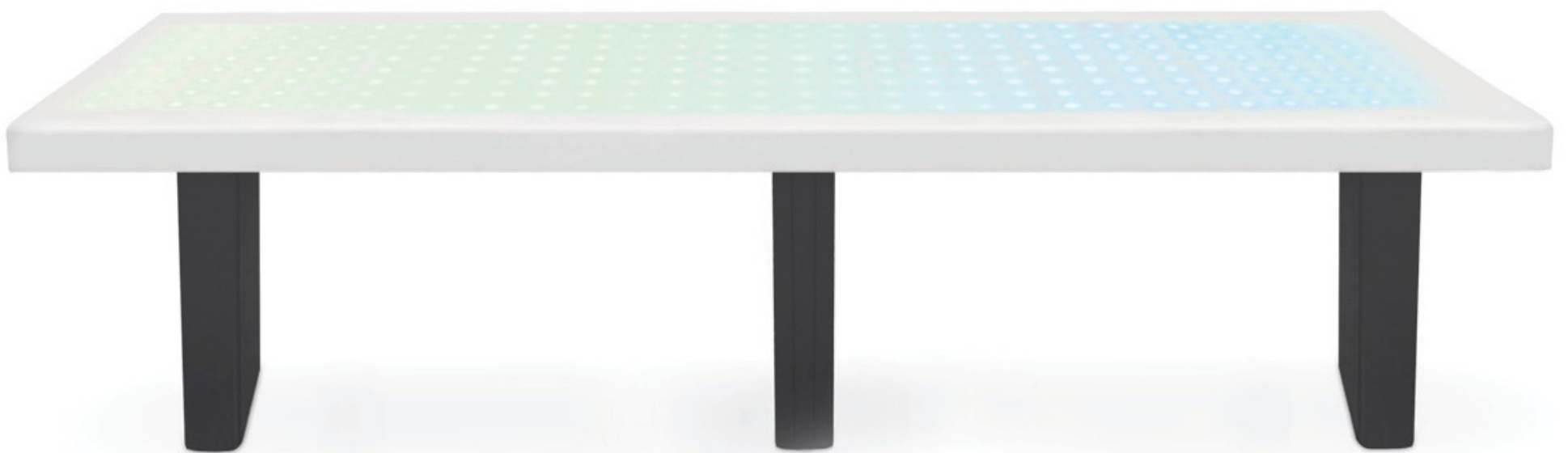


- 6 Align the table legs with the mounting holes on the base of the table top and secure with screws and washers.



SPARKLE

Sparkle Table Top 99"



CLEANING AND MAINTENANCE

Top and Sides

Spray the top and side surfaces with a multi surface cleaner and wipe using a soft cloth. Recommended cleaners include Fantastik household cleaner and Formula 409 household cleaner.

Disinfecting

Sani-Cloth® AF3 Germicidal Disposable Wipes, Steris Coverage Plus® and Clorox Healthcare® Hydrogen Peroxide Cleaner Disinfectant Wipes are recommended.

DO NOT USE STRONG ACIDIC OR SOLVENT BASED CLEANERS, SUCH AS METHYLCHLORIDE OR ACETONE.

Scratches

Superficial scratches on the top surface only can be removed by rubbing a wet #7448 ScotchBrite pad in a circular motion until the scratches disappear, followed by spraying with a multi-surface cleaner and wiping dry with a soft cloth. Never use abrasive cleaners on the laminate sides, which will dull or damage the finish.

ELECTRICAL

This product is for use on a nominal Universal Power 110 - 220 VAC circuit and must be plugged into an appropriate outlet that is properly installed and grounded in accordance with all local codes and ordinances.

NOTE: IMPROPER CONNECTION OF EQUIPMENT GROUNDING CONDUCTOR CAN RESULT IN A RISK OF ELECTRIC SHOCK. Check with a qualified electrician or serviceman if you are in doubt as to whether the product is properly grounded. Do not modify the plug provided with the product, or if it will not fit the outlet. Have a proper outlet installed by a qualified electrician.

INSTALLATION OF NUNOERIN PRODUCTS. Installation of all NunoErin product is solely the responsibility of the builder, contractor, interior designer and decor vendor, or the Customer. NunoErin has no control over the installer or the installation process and will not be responsible for any installations that are not done in a good, workmanlike manner, that do not follow NunoErin installation recommendations noted in the Product Literature or that fail to conform to electrical codes. NunoErin assumes no responsibility for such compliance. Consult your local building code officials for specific requirements.

Note: No NunoErin representative, dealer or salesperson is authorized to assist in the measurement of installation of NunoErin Products in the field. Customers are advised to obtain the proper measurement, specifications and sizes only from their builder, designer or engineer. Accordingly, any assistance provided in the field by a NunoErin representative should not be relied upon and will not be binding upon NunoErin in any form or fashion. NunoErin shall not be liable in any form of measures from incorrect measurements or specifications made in the field, irrespective of whether a NunoErin representative was involved in the process.