

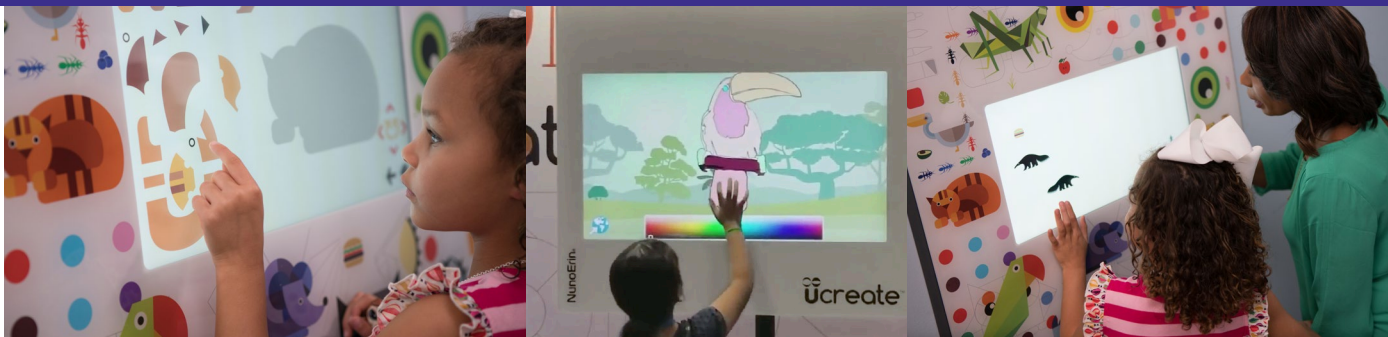


UCWP2424

UCWP3540

Made specifically for children's play spaces, the Ucreate products draw children in to a whimsical world of play. The interactive art panels give children and their caretakers a new way to explore painting, puzzles, interactive coloring, through our growing platform of originally developed games.

SPRINKLE **Creativity** INTO EVERY SPACE AND EVERY DAY



Features

- Creative Games, Drawing & Animated coloring books
- Part of a growing platform of unique collaborative games
- Capacitive multi-touch gechnology
- Seamless Anti-scratch acrylic face
- System updates provided over the air or by USB
- Password projected management console
- Remote preformance monitoring
- 110 VAC, plug and play setup
- Wall mount hardware provided
- Recessed Jbox on back of panel for wall power

Options

- Available as Tables and Panels
- Custom Sizes (MOQ applies)

Models

| Panel | Product Size | Interaction Size |
|----------|----------------|------------------|
| UCWP2424 | 24" x 24" x 2" | 21.5" |
| UCWP3540 | 40" x 35" x 2" | 40" |

Care & Maintenance

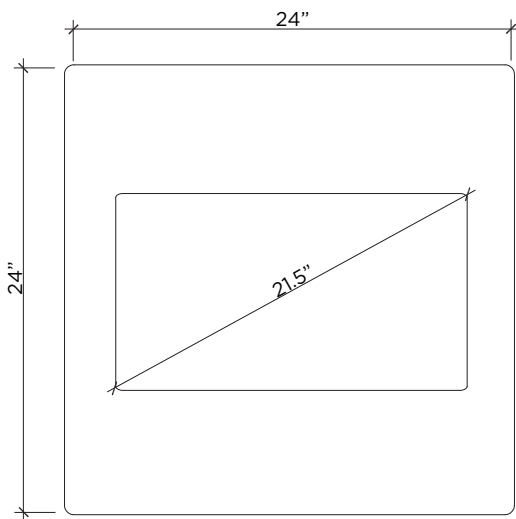
Spray the top interactive surface with multi-surface cleaner and wipe using a soft cloth. Do not clean or dry with abrasive cloths, towels or other items with a rough surface. Recommended cleaners include Fantastik household cleaner, Formula 409 household cleaner, and Windex window cleaner. For disenfecting, Sani-Cloth® AF3 Germicidal Disposable Wipes are recommended. Do not use use strong acidic or solvent based cleaners, including: isopropyl alcohol, benzene, carbon tetrachloride, gasoline, or lacquer thinners, Ethyl Acetate, Alcohol, Acetone, Ammonia, Hydrogen Peroxide, Sulfuric Acid. Steris Coverage Plus® Germicidal Surface Wipes and Clorox Healthcare® Hydrogen Peroxide Cleaner Disinfectant Wipes contain damaging chemicals and should not be used.

Digital Play Panel

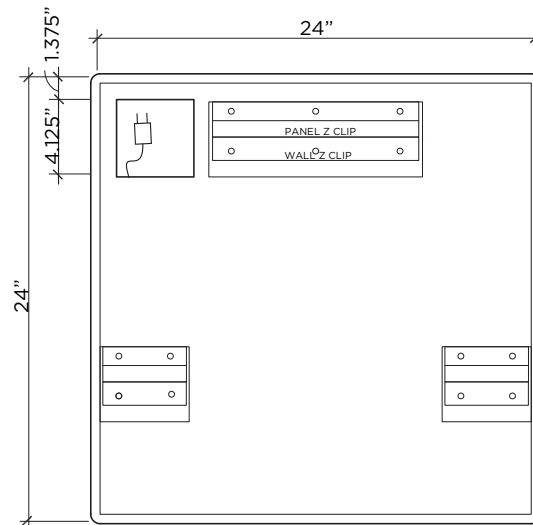


Dimensions & Installation

UCWP2424



Front of Panel



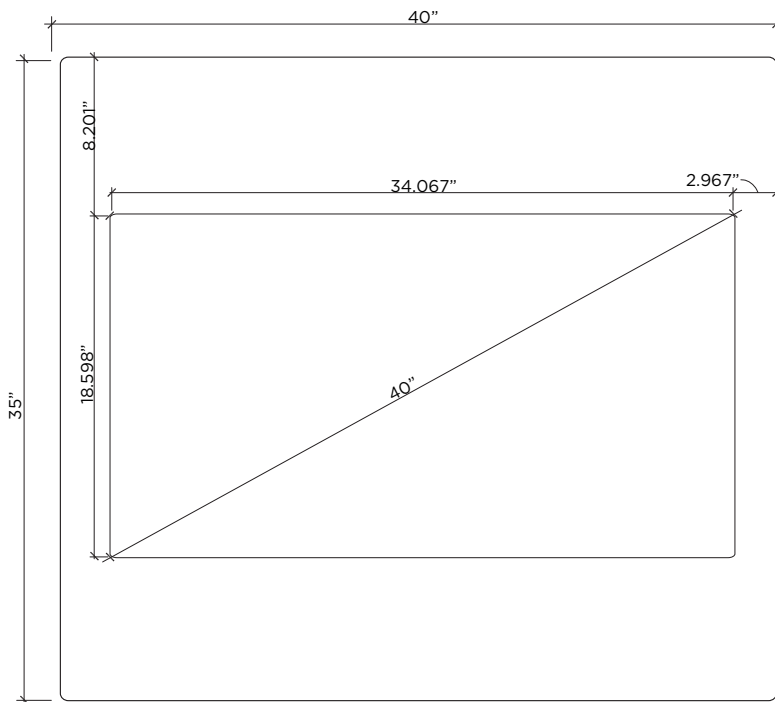
Back of Panel



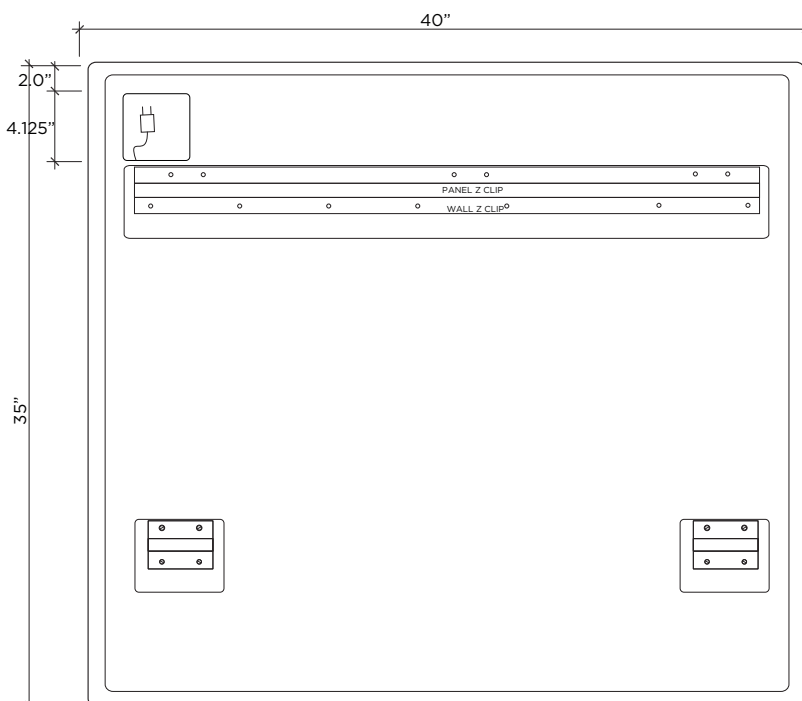
Digital Play Panel

Dimensions & Installation

UCWP3540



Front of Panel



Back of Panel

